

YL-200(300)series

User Manual

BINDTec

CONTENTS

YL-200(300S) USER MANUAL

1. For your safety.....	1
2. Introduction.....	2
3. Package details.....	3
4. Assembly.....	3
5. Installing and removing tape.....	4
6. Machine operation.....	5
7. Machine temperature control of machine.....	6
8. Machine tension control machine.....	7
9. Product specifications.....	7
10. Safety precautions.....	8
11. Products warranty.....	9

For your safety



For your safety

Please carefully read this user manual before operating the binder.



Maintenance requirements

1. Make sure AC 220V(110V-YL-300) power is supplied. The voltage fluctuation must be kept at a minimum.
2. High temperature, high humidity or any other environmental conditions may render the unit not operational due to the tape being jammed around the roller or otherwise.
3. Please clean the unit once every week. It is particularly important to keep the roller clean.
4. The warranty is void if the unit is tampered with or disassembled by anyone other than the designated service personnel.
5. Touching the heater when the unit is operational or within 10 minutes of the shutdown of the machine may cause a burn injury.
6. Make sure the power is off after using the unit.

2

Introduction

Automatic binding with paper/film (YL-200,300)

The ease of installation and compactness of the YL-200(300) makes for efficient use of office space.

The YL-200(300) automatically replenishes tape, eliminating any extra work to replenish tape. This feature is very fast and accurate.

It binds the bills, small boxes, envelopes, pouches etc into a bundle.

It perform all packages without damage by the greater strapping strength

The YL-200(300) does not produce hazardous materials when using the tape supplied by BINDTEC Co.,Ltd.

PRODUCTS

YL-200 (300)



YL-200



YL-300



YL-300S

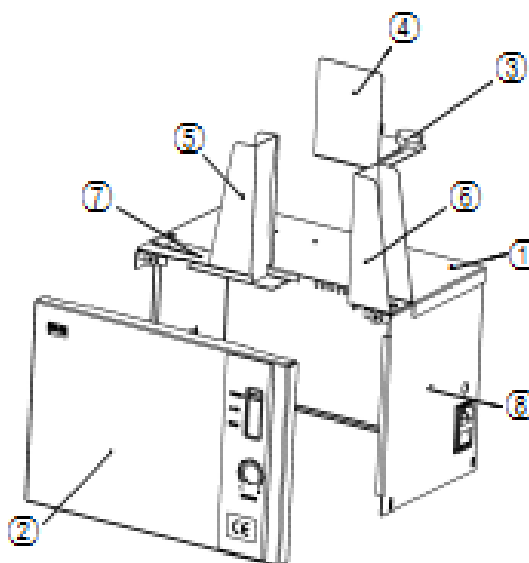
3 Package details

Make sure the following components are in place.

1. Body.....1
2. Left and right tape guides.....1each
3. Binding guide.....1
4. Handled bolts.....2
5. Power cable.....1
- 6.Manual.....1
- 7.Test roll.....1
- 8.Return spring1

4 Assembly diagram

- ① Top plate
- ② Front plate
- ③ Handled bolt(M6)
- ④ Binding guide
- ⑤ Left tape guide
- ⑥ Right tape guide
- ⑦ Sub-guide
- ⑧ Back case



5

Installing and removing the tape

1. Open the front plate. The toggle switch can change the mode between "inserting tape mode" and "strapping mode". If the switch is in the upper position, it is "inserting tape mode" and the lamp of the ①power switch will start blinking. Put tape in ②the tape holder. Make sure paper tape will unroll in the right direction.

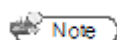
2. Hold the end of the tape, push it through ③the guide roller and then between ④the Idle roller and ⑤the main roller. Press ⑥the Automatic/Forward button, then the rollers will turn to move the tape forward. At this point, allow the tape to roll in automatically as shown in the diagram.

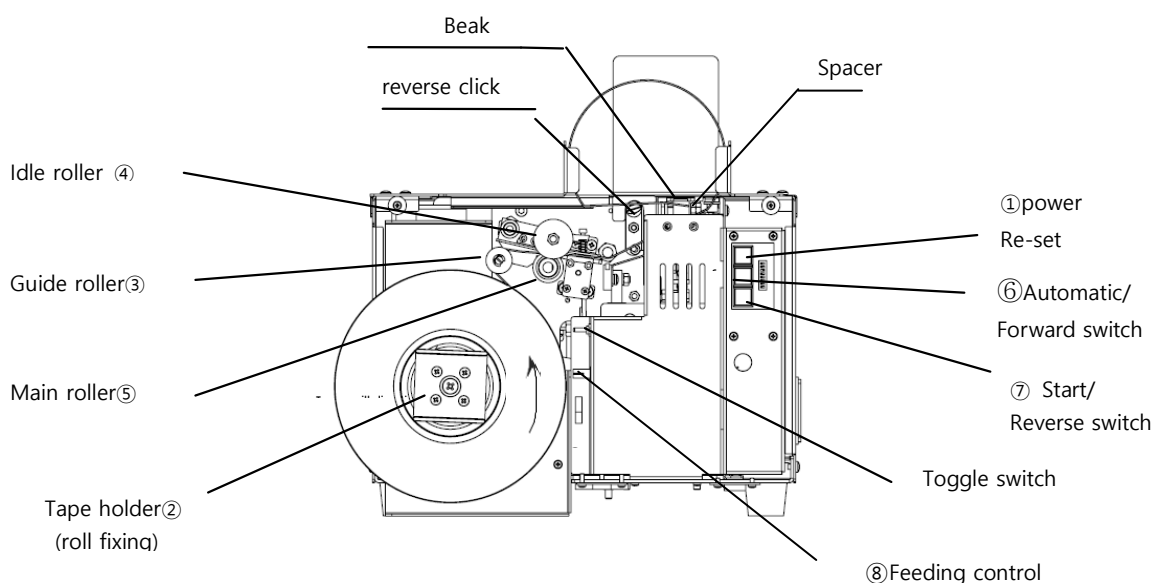
3. If too much of the tape is rolled in or jammed around the rollers, press ⑦the Start/Reverse button and then the roller will turn the other way around to allow removal of the tape.

4. Adjust the tape ⑧feeding control to change the length of the tape fed on the unit by turning the volume in your direction or the opposite direction to increase or decrease the length, respectively.

5. Push down the toggle switch. It will convert to strapping mode and the heater be heated. If the current temperature is far below the set value, ⑦the Start/Reverse button will be lit up. If it is a little below the set value, ⑥the Automatic/Forward button will be lit up. If ①the power switch blinks, it indicates that the current temperature has reached the set value, when pushing ①the power switch will cause any leftover tape will be cut off, and new tape will be put in place. (During automatic cutting, please do not hold the end of the tape)

6. When failed to insert the tape into the machine or re-insert the tape for re-arrangement, press ①power switch and hold 2 seconds for the tape to be cut off and machine will re- strap.

 **Note** Make sure any creased part of the tape is cut off after any jamming occurs.

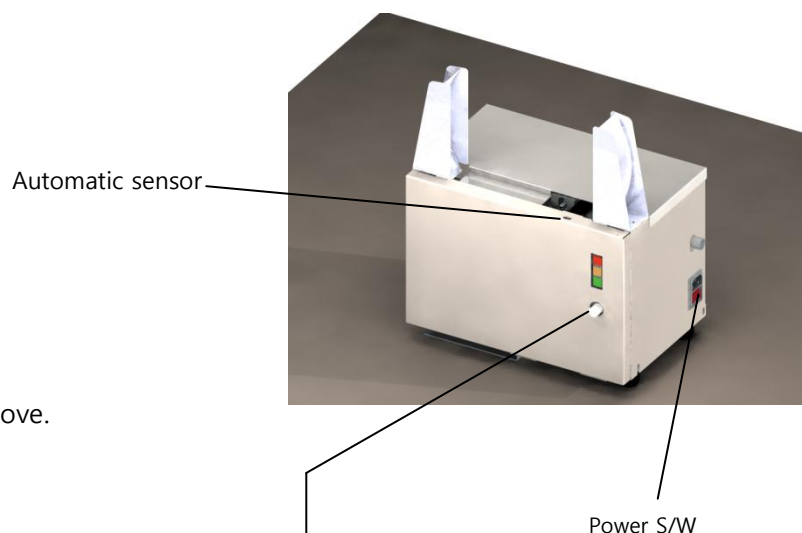


6

Machine operation

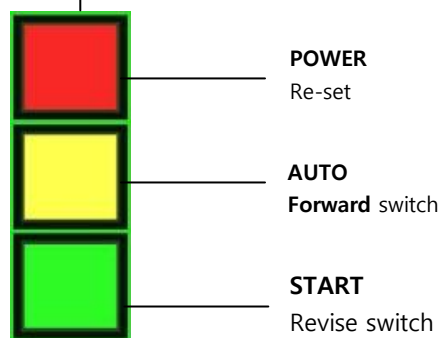
Preparations

- 1.Connect the power cable to the power inlet(the fuse holder and power switch are integrated).
- 2.Turn the power switch on.
- 3.Feed the unit with tape as explained above.



Manual mode

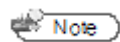
- 1.The unit is in the manual operation mode after tape feeding.
- 2.Put the objects to be bundled inside the tape ring.
(The start button will start blinking if the automatic sensor detects the objects.)



- 3.Press the start button and the binding operation will begin, and the tape will be cut off at the same time. After binding, more tape will be in place for the next bundle.

Automatic mode

- 1Press the automatic button, then the Automatic button will be lit up and the unit will switch to automatic mode.
- 2 Put the objects to be bundled inside the tape ring in place.
- 3The objects are automatically bundled when the sensor detects them



During automatic operation, Bundling is performed without the Start button being pushed.

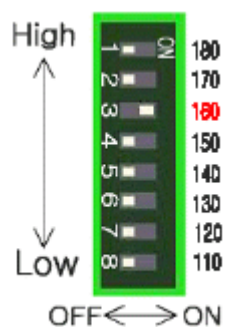
7

Machine temperature control

Set the dip switches to set the optimal temperature for the material of the tape and other conditions. You may open the front plate to set the applicable dip switch for the desired temperature.

● Example

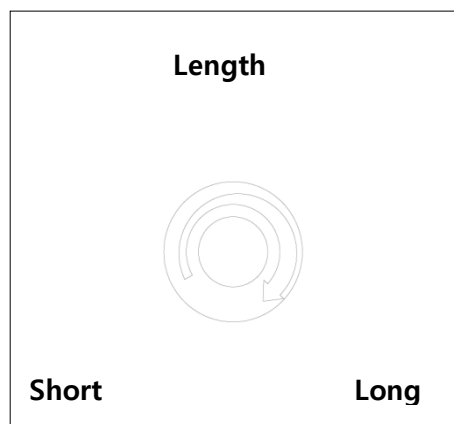
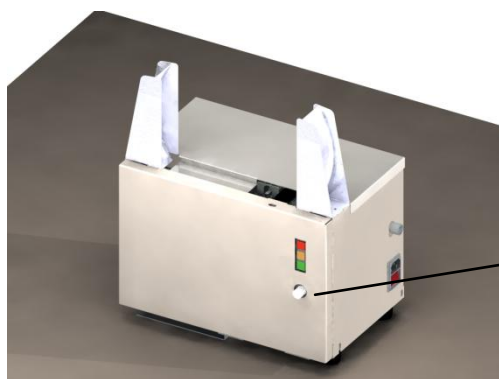
Set the switch no. 3 to set the temperature at 160°C.



8

Machine length control

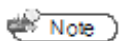
Use the length control to adjust the binding Length.



9

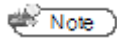
Product specifications

Speed	Binding(paper/film)	20-21 cycles/minute
Maximum dimensions of the bundle	YL-200 : 210 (w) x 170 (H) mm	
	YL-300(S) : 300 (W) × 170 (H) mm	
Power supply	YL-200 : AC 220V 50/60Hz 1.6A	
	YL-300(S) : AC 110V, 220V 50/60Hz 1.6A	
Power consumption	150W	
Heater	Plate type	
band width	YL-200 : paper 20,30,40 / film 20,30	
	YL-300 : paper 30,40 / film 30mm	
	YL-300S : paper 30mm / film 30mm	
Product dimensions	YL-200 : 324 (W) × 210 (D) × 240 (H) mm	
	YL-300 : 420 (W) × 210 (D) × 240 (H) mm	
	YL-300S: 420 (W) × 210 (D) ×940 (H) mm	
Weight	YL-200 : 17kg	
	YL-300 : 18kg	
	YL-300S :37kg	



Use of the tape supplied by BINDTEC CO.,LTD is recommended to maintain optimal performance of the binder.

Safety precautions



Store the binder in a dry and cool place. Exposure to high temperature or high humidity may result in the explosion of the binder and/or inflammation.



Do not open the case, or you may risk electrocution.



Do not touch the cutter.

The sharp blade may cause a serious injury.



Do not touch the heater.

The high temperature may cause a burns.

To avoid malfunctioning of the unit, please avoid touching any internal components.

PRODUCT WARRANTY

BINDTEC CO., LTD warrants that we will repair and replace parts in accordance with the following terms if any defects in the material or workmanship of the binder occurs within 12 months from the day on which the user purchases it.

A purchase receipt or other evidence of the date of purchase must be shown in order to receive warranty services.

Warranty terms

This warranty is valid only while and if product is used and handled in a normal and reasonable manner in accordance with the User Manual and installation instructions.

Paid services

* Please carefully read the User Manual as you will be charged for any services requested except for product malfunctions guaranteed under the warranty.

- * The product is not covered under warranty if damage or defects have occurred due to:
- Customer misuse or unauthorized tampering or repairs;
 - The replacement of parts other than those designated by BINDTEC CO., LTD; or
 - An act of God or the normal service life of any expendable parts being expired.

Model		Applicable bands	
Date of purchase		Serial no.	
Purchased at			



BINDTEC CO.,LTD.

#1011,177 Sagimakgol-ro, Jungwon-gu, Seongnam-si,

Gyeonggi-do, S . Korea

TEL :+82-31-734-2868 / FAX : +82-31-734-2869

E-mail :sales@bindtec.kr

<http://www.bindtec.kr>