

MERCURY TP-702YA

always
exceeds
your
expectations



With strapping head mounted on the side of machine frame, side-seal strapping machine can protect itself from dust and water. They are applicable in most of the harsh working environment, including marine food, meat, poultry processing, sawmill, brick plants, and household appliances. Transpak has the most comprehensive range of strapping machine with side-seal design, including:

- High speed auto and fully-auto side-seal machine for P.P. straps TP-702Y, TP-702YA, TP-702YM, TP-702YAM
- Enhanced auto and fully-auto side-seal machine for P.P. straps TP-601Y, TP-601YA, TP-601YM, TP-601YAM
- Automatic side-seal machine for PET and P.P. straps TP-601YPT
- Semi-auto side-seal machine for P.P. straps TP-201Y, TP-201YS

SIDE-SEAL STRAPPING MACHINE

Offer Maximum Value
with Minimum Cost.
Always More than You Expect.

TP-702Y TP-702YA TP-702YM TP-702YAM

The Mercury side-seal models are high speed strapping machines, especially suitable for application that require high production efficiency. With all the standard features Mercury processes, these machines offer the most optimal performance, highest speed, and easiest maintenance in its class. They can be integrated into most production lines and utilized with various applications.

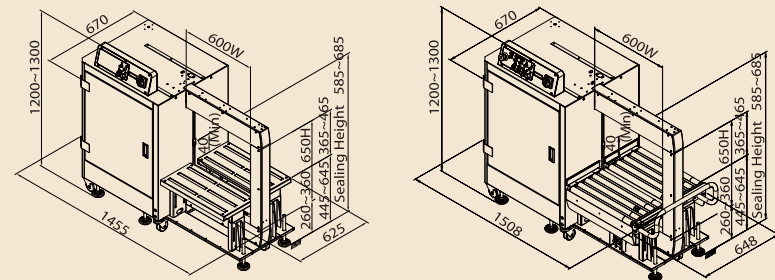


Painted steel frame machines

TP-702Y and TP-702YA can accommodate a wide variety of products. They are ideal for strapping large or heavy products and household appliances. With side-mounted strapping head, they are also applicable in dusty working environment such as sawmill plants, brick and tile industries. Wide range of arch sizes are available to meet your various applications.

TP-702Y (Automatic model)

TP-702YA (Fully-Auto model)



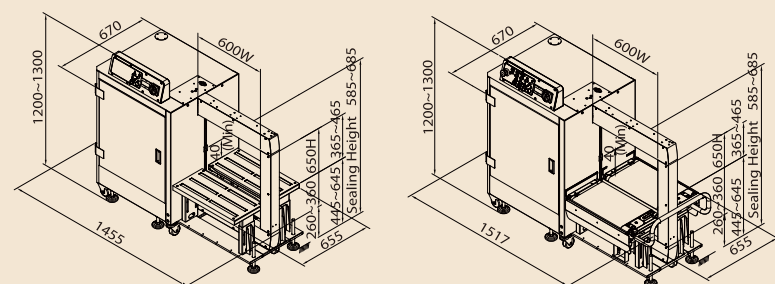
Wash-down machines



TP-702YM and TP-702YAM are with stainless steel frame and rust resistant or corrosion retardant parts inside. They are applicable in moist and harsh working environment such as meat and poultry processing plants and also marine food industry.

TP-702YM (Automatic model)

TP-702YAM (Fully-Auto model)



Main Features



Robust and Compact Strapping Head

Mercury machines use the latest DC brushless motor technology to provide the highest level of accuracy and reliability. All motors are German-made.

Without belts, clutches, and pulleys, its compact design greatly minimizes the numbers of moving parts and maintenance cost.



Control Panel with LCD Display

Smart LCD display shows the machine condition for easy operation and maintenance. User friendly.



Free Access to Strap Guides (patents registered)

Unblock the guides enabling free and quick access to the strap guides without the use of any tools. The most maintenance-friendly design.

Arch Sizes

TP-702Y, TP-702YA

H	W	400	600	800	1000	1300
650	*	Ⓢ	N/A	N/A		
850	N/A			N/A		
1050	N/A					
1250	N/A					
1650	N/A	N/A	N/A			N/A

- Ⓢ Standard size: 600 mm(W) x 650 mm(H)
- * means only for TP-702Y
- N/A means not available

TP-702YM, TP-702YAM

H	W	600	800
650	Ⓢ		N/A
850			

- Ⓢ Standard size: 600 mm(W) x 650 mm(H)
- N/A means not available

More Features

Downward Tension Force

Offers the most consistent tension to the package and helps to hold package more sturdy.

Strap Dispenser with Ergonomic Design

The position of strap dispenser is inside the machine frame. It makes coil change in the most convenient and labor-saving way. This design also protects the strap dispenser from moisture.

Water Proof Design (TP-702YM, TP-702YAM)

Internal heating device assists to prevent accumulating humidity inside. Special protection for electric control unit with IP 54 rated ensures highest safety. Provide most strict protection from water and wash down spray.

Up and Down Stream Interlock (TP-702YA, TP-702YAM)

Easily integrated into most production lines.

Options

- End of cycle and strapping error signals
- Siemens PLC control (for TP-702YA, TP-702YAM)
- Light tree alarm with low strap sensor (triple lamp)
- Energy saving transit with auto sleep mode
- Without adjustable roller table (TP-702Y-XT, TP-702YM-XT)

• Side Pusher

Push the package towards strapping head for better strapping.



• Dual Press Bar

Ideal to strap compressible materials or telescoped boxes.



Technical Data

Strap Width	5 mm, 6 mm, 9 mm, or 12 mm
Strap Tension	1-32 kg (for 5 mm, 6 mm, and 9 mm) 1-45 kg (for 12 mm)
Speed	up to 60 strap/minute (TP-702Y, TP-702YM) up to 35 package/minute (TP-702YA, TP-702YAM)
Net Weight	294 kg (TP-702Y), 340 kg (TP-702YA) 281 kg (TP-702YM), 327 kg (TP-702YAM)
Electrical Requirements	110V, 220V, 230V 50/60Hz 1PH

Tauris

Enhanced Model

TP-601Y TP-601YA TP-601YM TP-601YAM

The Tauris side-seal models are enhanced strapping machine for P.P. straps (8 mm-12 mm). They offer high reliability and performance. They can be integrated into most production lines and utilized with various applications.

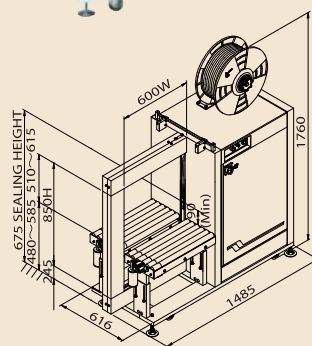
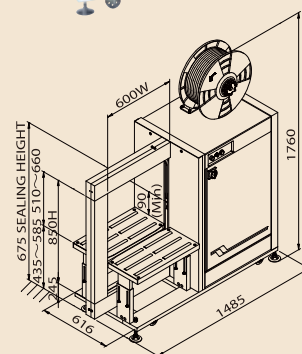


Painted steel frame machines

TP-601Y and TP-601YA can accommodate a wide variety of products. They are ideal for strapping large or heavy products and household appliances. With side-mounted strapping head, they are also applicable in dusty working environment such as sawmill plants, brick and tile industries. Wide range of arch sizes are available to meet your various applications.

TP-601Y (Automatic model)

TP-601YA (Fully-Auto model)



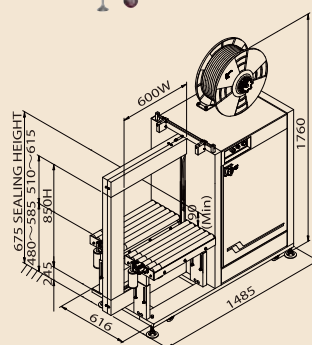
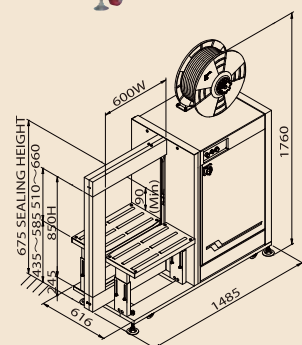
Wash-down machines



TP-601YM and TP-601YAM are with stainless steel frame and rust resistant or corrosion retardant parts inside. They are applicable in moist and harsh working environment such as meat and poultry processing plants and also marine food industry.

TP-601YM (Automatic model)

TP-601YAM (Fully-Auto model)



Main Features



Reliable and Robust Strapping Head

Robust mechanism design and high engineering standard ensure excellent durability of the products. Use proximity switches to replace conventional limit switches.



Auto Strap Feeding

Simply insert the strap into the feeding rollers and then push the "reset" button. The machine will automatically feed the strap without the need to access to the inside of the machine. Easy strap loading.



Auto Strap Ejector

Loop-eject clears unwanted strap automatically if the machine is accidentally activated without a package. Eliminates downtime. (for TP-601Y, TP-601YA)

Arch Sizes

H	W	400	600	800	1000	1200
650				N/A	N/A	N/A
850			Ⓢ			
1050						
1250						
1450						
1650						
1850						N/A

Ⓢ Standard size: 600 mm(W) x 850 mm(H)
• N/A means not available

More Features

Short Feed Sensor

The sensor detects whether strap is at sealing position. If not, the start switch can not be activated.

Auto Strap Refeed

The machine will automatically refeed the strap if a mis-feed occurs.

Strap End Ejector

Eject end of strap automatically. Easy to clean the end of strap and get the machine ready for next coil of strap.

Water Proof Design (TP-601YM, TP-601YAM)

Special protection for electric control unit with IP 54 rated ensures highest safety. Provide most strict protection from water and wash down spray.

Electronic Tension Control (TP-601Y, TP-601YA)

Strap tension can be adjusted accurately by the simple turn of a dial. Easy operation.

Up and Down Stream Interlock (TP-601YA, TP-601YAM)

With complete plug connection. Easily integrated into most production lines.

Options

- Foot pedal switch (for TP-601Y, TP-601YM)
- Siemens PLC control (for TP-601YA, TP-601YAM)
- Without adjustable roller table (TP-601Y-XT, TP-601YA-XT, TP-601YM-XT, TP-601YAM-XT)

Technical Data

Strap Width 8 mm-12 mm

Strap Tension 7 kg to 70 kg

Speed up to 29 strap/minute (TP-601Y, TP-601YM)
up to 18 package/minute (TP-601YA, TP-601YAM)

Net Weight 300 kg (TP-601Y, TP-601YM)
333 kg (TP-601YA), 340 kg (TP-601YAM)

Electrical Requirements

220V, 380V, 400V 50/60Hz 3PH

110V, 220V, 230V 50/60Hz 1PH (only for TP-601Y)

Tauris

P.P. and PET Strap Solution

TP-601YPT

TP-601YPT is an automatic side-seal strapping machine for P.P. and PET straps (9 mm-15.5 mm). With extra large arch sizes, TP-601YPT is ideal for large or heavy products, household appliances (like refrigerator, television, washing machine), and various palletized products. It can be integrated into most production lines and utilized with various applications.



Main Features

- **Friction Weld Sealing Technology**
Guarantee reliable joint and high sealing efficiency. No fumes and odours.
- **Siemens PLC Control**
Siemens PLC is state-of-the-art controller. It is programmable and can be expanded flexibly to meet various application requirements.
- **Electronic Tension Control**
Strap tension can be adjusted accurately by the simple turn of a dial. Tension up to **1500 N (150 kg)**. Easy operation.
- **Auto Strap Refeed**
The machine will automatically refeed the strap if a mis-feed occurs. Eliminates downtime.
- **Auto Strap Ejector**
Loop-eject clears unwanted strap automatically if the machine is accidentally activated without a package. Eliminates downtime.

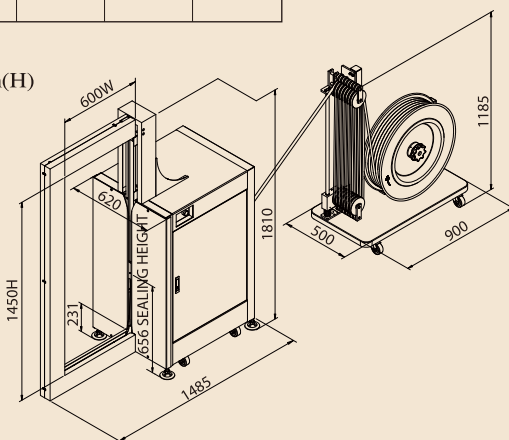
Options

- Up and down stream interlock with photo-eye control
- With adjustable roller table (TP-601YPT-T)

Arch Sizes

H	W	600	800	1000	1200	1400
850						
1050						
1250						
1450	Ⓢ					
1650						
1850						
2050						
2250						
2450						

Ⓢ Standard size:
600 mm(W) x 1450 mm(H)



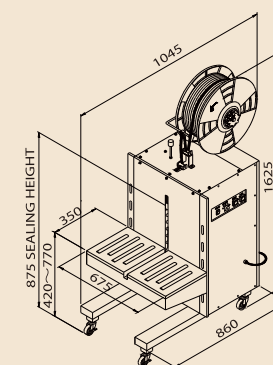
Technical Data

Strap Width	9 mm-15.5 mm
Strap Tension	20 kg to 150 kg
Speed	up to 11 strap/minute (60Hz)
Strap Core Size	406 mm (200/280 mm Optional)
Net Weight	355 kg
Electrical Requirements	220V, 380V, 400V 50/60Hz 3PH

Painted steel frame machine

- Ideal for dusty working environment, such as sawmill plants, brick and tile industries.
- Adjustable table height between 420 mm and 770 mm

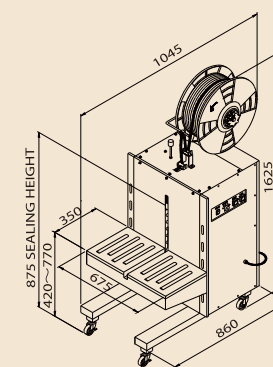
TP-201Y



Stainless steel frame machine

- Stainless steel frame SUS 304
- Ideal for moist working environment, such as meat, fish, poultry and agricultural processing plants.
- Adjustable table height between 420 mm and 770 mm

TP-201YS



Main Features

- Offer high reliability and performance
- Suitable for low volume applications
- Easy operation, simple maintenance
- Mechanical outside tension control
- Reliable P.C. Board control
- Proven quality

Options

- With cooling time (0-2 sec.)
- Selected parts in stainless steel (for TP-201YS)

Technical Data

Strap Width	6 mm-15.5 mm adjustable
Strap Tension	15 kg to 45 kg
Net Weight	125 kg
Electrical Requirements	110V, 220V, 230V 50/60Hz 1PH

Economy Machine

Affordable for every budget

TP-201Y TP-201YS

The TP-201Y series machines are semi-auto side-seal strapping machines. The strapping head is mounted on the side of the machine frame to protect it from dust and water. Great for dirty, moist, or harsh working environment.

